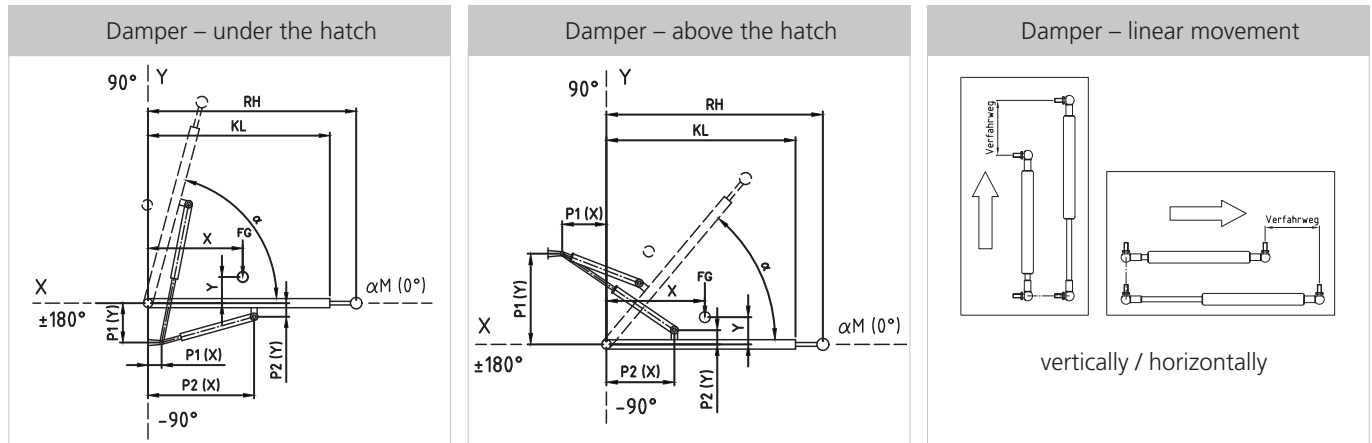


Assembly Recommendation: Dampers

Do not hesitate to use our competence and experience choosing our appropriate installation case including a drawing/sketch.
Let us support you with a non-binding offer and an installation proposal. Fill in all * marked fields.



Please note: Functionally oil brakes have an idle stroke.
Temperature change cause damping behaviour changes.



Required details

Moved mass (1 kg = 2.2lb) * FG kg

Center of gravity * X mm

 Y mm

Starting angle * αM °

Opened angle * α °

Length of the hatch * KL mm

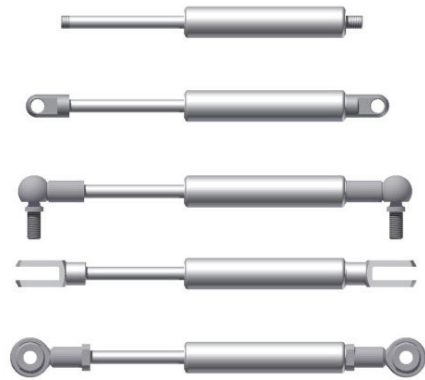
Operating Temperature * T °C

Damping direction * compression
 extension
 both directions

Damping speed * V^d mm/sec.

Number of damper per hatch * n pcs.

End fittings *



Operation area *

Damper Material * Steel V2A V4A

Damper fixing points

If the attachment points of the damper are known or fixed, please enter the values under „Fixed point / Moving point“.

If the assembly space for the damper is limited, please fill in the values of the "Possible space".

Distance values

Fixed point P1 X mm Y mm

Possible space $\pm X$ mm $\pm Y$ mm

Mounting point P2 X mm Y mm

Possible space $\pm X$ mm $\pm Y$ mm

Contact details

Name *

Company *

Address *

ZIP / City *

Country

Telephone *

Fax

E-Mail *

Amount of springs

Order number

