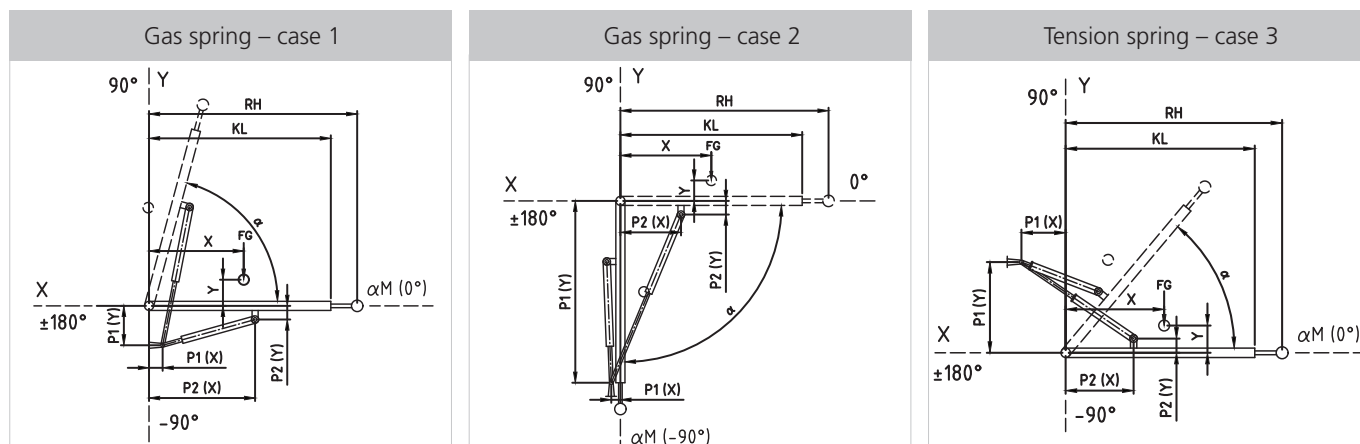


Assembly recommendation: Gas spring

Use the competence and experience of our specialists. Please choose the appropriate installation case and include a drawing or sketch when possible. Then you will receive a non-binding offer including an installation proposal.

All data refer to the pivot point of the application, cases 1-3.

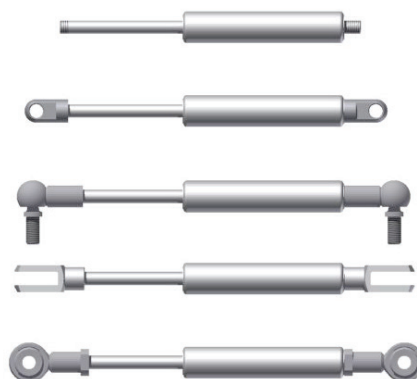
Please fill out all fields marked with *



Required details

Moved mass *	FG	<input type="text"/>	kg
Center of gravity *	X	<input type="text"/>	mm
	Y	<input type="text"/>	mm
Desired hand force		<input type="text"/>	N
Starting angle *	αM	<input type="text"/>	°
Opened angle *	α	<input type="text"/>	°
Length of the hatch *	KL	<input type="text"/>	mm
Thickness of the hatch *	KS	<input type="text"/>	mm
Radius handforce	RH	<input type="text"/>	mm
Number of gas springs per hatch *	n	<input type="text"/>	pcs.
Hinge position*	Above	Middle	Under

End fittings *



Operation area *	<input type="text"/>
Gas Spring Material *	Steel 304 SS 316 SS

Gas spring fixing points

If the attachment points of the gas spring are known or fixed, please enter the values under „Fixed point / Moving point“.

If the assembly space for the gas spring is limited, please fill in the values of the “Possible space”.

Distance values

Fixed point P1	X	<input type="text"/>	mm	Y	<input type="text"/>	mm
Possible space	$\pm X$	<input type="text"/>	mm	$\pm Y$	<input type="text"/>	mm
Fixed point P2	X	<input type="text"/>	mm	Y	<input type="text"/>	mm
Possible space	$\pm X$	<input type="text"/>	mm	$\pm Y$	<input type="text"/>	mm

Contact details

Name *	<input type="text"/>
Company *	<input type="text"/>
Address *	<input type="text"/>
ZIP / City *	<input type="text"/>
Country	<input type="text"/>
Telephone *	<input type="text"/>
Fax	<input type="text"/>
E-Mail *	<input type="text"/>
Amount of springs	<input type="text"/>
Order number	<input type="text"/>

[Print Inquiry](#)

[Send Inquiry](#)